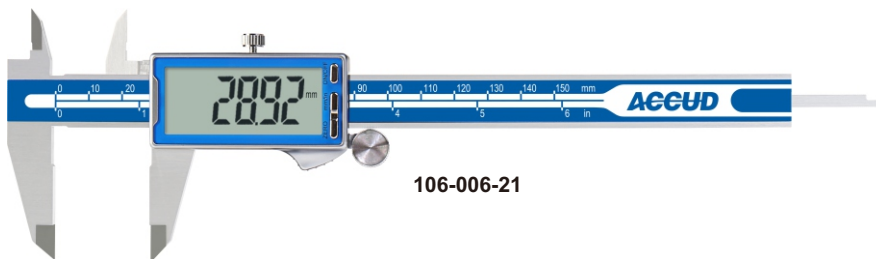


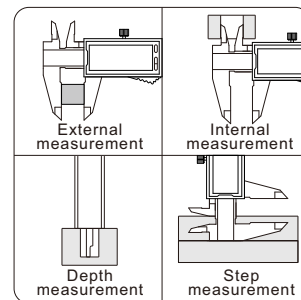
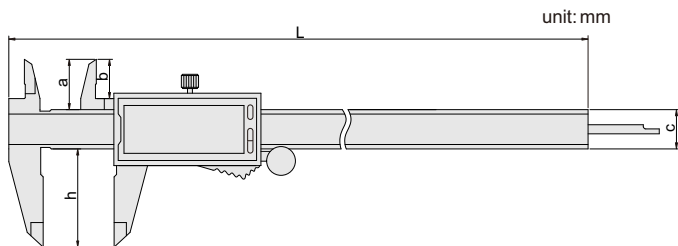
SERIES 106

DIGITAL CALIPER WITH LARGE SCREEN



106-006-21

- ◆ Resolution: 0.01mm/0.0005"
- ◆ Buttons: on/off, zero, mm/inch
- ◆ Automatic power on/off
- ◆ Meet DIN862
- ◆ Made of stainless steel



Code	Range	Accuracy	a	b	c	h	L
106-006-21	0-150mm/0-6"	±0.03mm	21	16	16	40	236
106-008-21	0-200mm/0-8"	±0.03mm	24	19	16	50	286
106-012-21	0-300mm/0-12"	±0.03mm	25	20.5	16	60	400