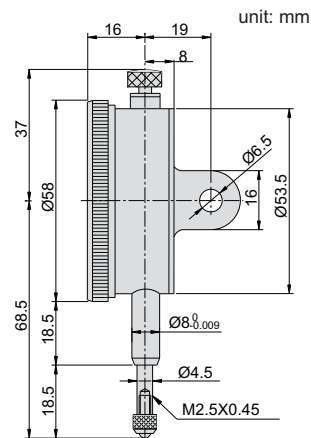


## SERIES 226

## SHOCKPROOF DIAL INDICATOR



- ◆ Shockproof
- ◆ Graduation: 0.01mm
- ◆ With limit hands
- ◆ Jeweled bearing
- ◆ Rang per revolution: 1mm
- ◆ Supplied with lug and flat back



Styli (optional)



Series 270

Application



226-010-11

Code	Range	Accuracy	Hysteresis	Scale
226-005-11	5mm	16µm	3µm	0-100
226-010-11	10mm	17µm	3µm	0-100