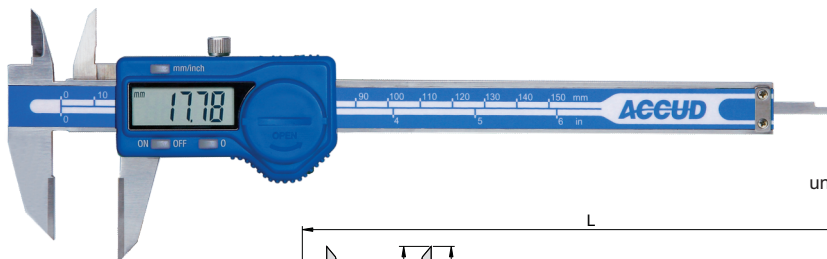


## SERIES 155

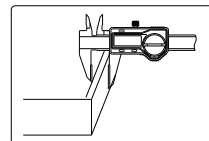
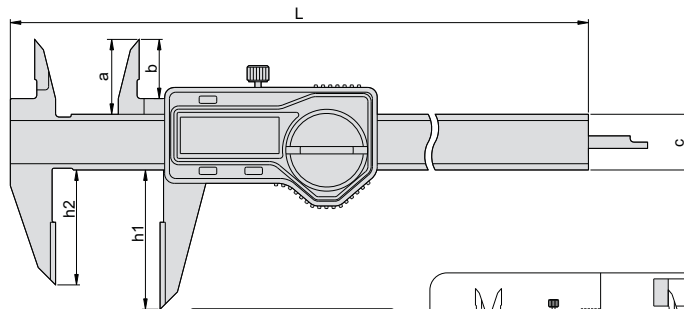
## DIGITAL SCRIBING CALIPER



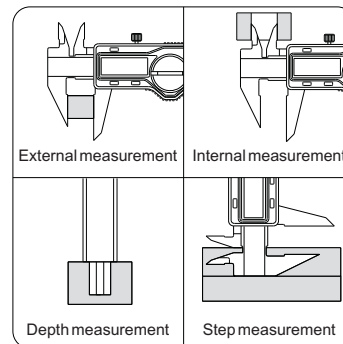
Carbide tipped jaws

155-006-11

unit: mm



- ◆ Carbide-tipped jaws facilitate fine scribing on workpiece
- ◆ Resolution: 0.01mm/0.0005"
- ◆ Automatic power on/off
- ◆ Buttons: on/off, zero, mm/inch
- ◆ Data output (cable code: 100-11 or 100-12)
- ◆ Made of stainless steel



Code	Range	Accuracy	a	b	c	h1	h2	L
155-006-11	0-150mm/0-6"	±0.03mm	21	16.5	16	40	33	236
155-008-11	0-200mm/0-8"	±0.03mm	24	19.5	16	50	43	286
155-012-11	0-300mm/0-12"	±0.04mm	25	20.5	17	60	53	386