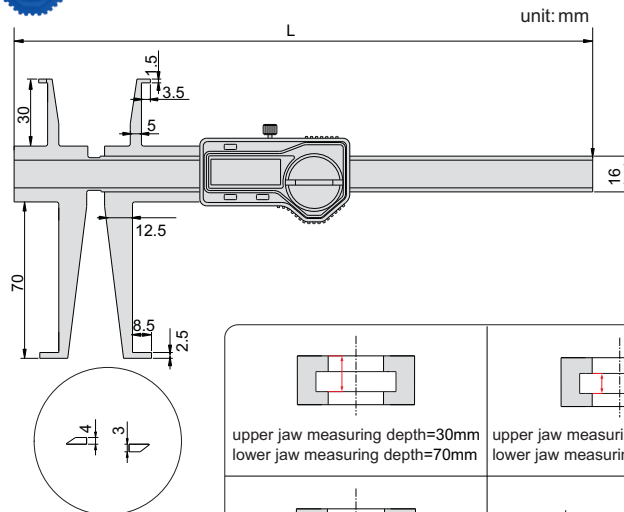


SERIES 159

DIGITAL INSIDE GROOVE CALIPER



159-006-11



- ◆ Measure diameter of grooves inside bores
- ◆ Resolution: 0.01mm/0.0005"
- ◆ Buttons: on/off, zero, mm/inch
- ◆ Automatic power on/off
- ◆ Data output(cable code: 100-11 or 100-12)
- ◆ Made of stainless steel

Code	Range of upper jaw	Range of lower jaw	Accuracy	L
159-006-11	9-150mm	15-150mm	±0.04mm	260
159-008-11	9-200mm	15-200mm	±0.06mm	310

