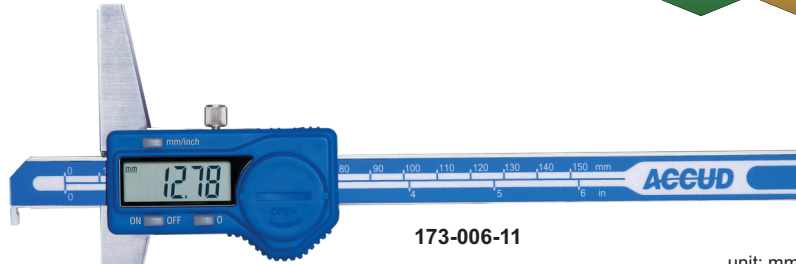




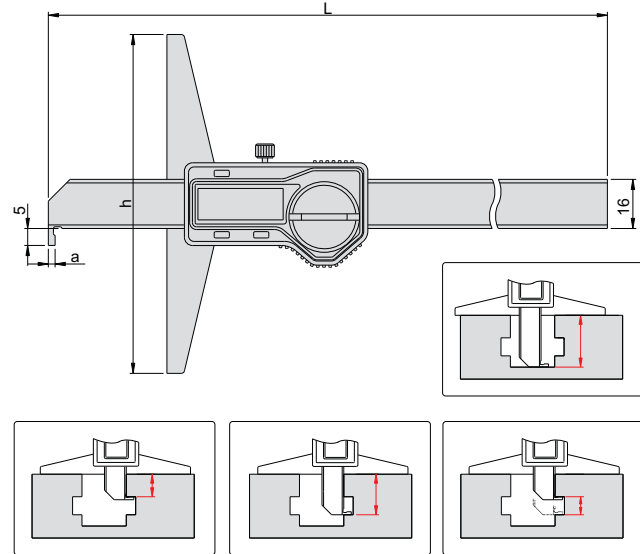
VIDEO

- ◆ Measure the depth of grooves
- ◆ Resolution: 0.01mm/0.0005"
- ◆ Automatic power on/off
- ◆ Buttons: on/off, zero, mm/inch
- ◆ Data output(cable code: 100-11 or 100-12)
- ◆ Made of stainless steel



173-006-11

unit: mm



Code	Range	Accuracy	a	h	L
173-006-11	0-150mm/0-6"	±0.04mm	2	100	230
173-008-11	0-200mm/0-8"	±0.04mm	2	100	280
173-012-11	0-300mm/0-12"	±0.05mm	2	150	380
173-020-11	0-500mm/0-20"	±0.05mm	3	150	585
173-006-21	0-150mm/0-6"	±0.04mm	1	100	230
173-008-21	0-200mm/0-8"	±0.04mm	1	100	280
173-012-21	0-300mm/0-12"	±0.05mm	1	150	380
173-020-21	0-500mm/0-20"	±0.05mm	3	200	585