

176

DIGITAL DEPTH CALIPER



- ◆ Measure the depth of grooves, small holes and tire thread
- ◆ Resolution: 0.01mm/0.0005"
- ◆ Automatic power on/off
- ◆ Buttons: on/off, zero, mm/inch
- ◆ Data output(cable code:100-11 or 100-12)
- ◆ Made of stainless steel

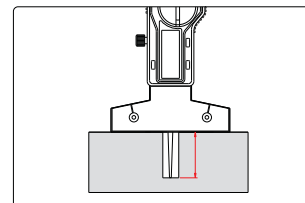
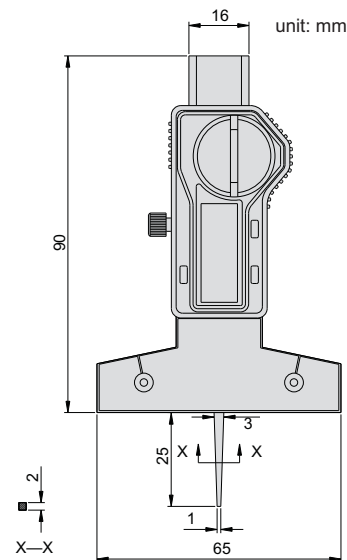
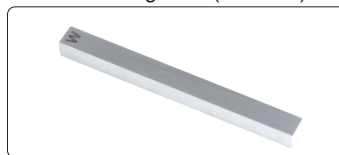
Set zero



Measure tire thread



zero setting block (included)



Code	Range	Accuracy
176-001-11	0-25mm/0-1"	±0.03mm