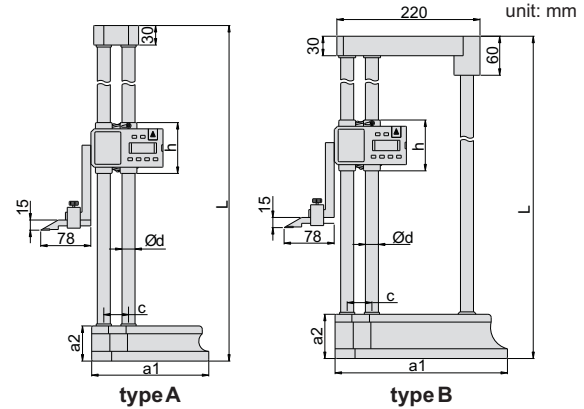


- ◆ Resolution: 0.01mm/0.001"
- ◆ Buttons: on/off, inch/mm, ABS/INC, data preset, set data
- ◆ Carbide tipped scriber
- ◆ Made of stainless steel beam
- ◆ With driving wheel
- ◆ Optional accessory: 267 series clamps

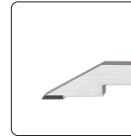
Application with clamps (optional)



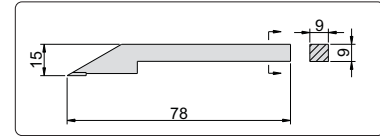
182-012-11



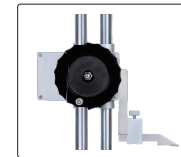
Carbide tipped jaws



Scriber (included)



driving wheel



| Code | Range | Type | Accuracy | a1 | a2 | c | Ød | h | L |
|------------|----------------|------|----------|-----|----|----|----|----|------|
| 182-012-11 | 0-300mm/0-12" | A | ±0.04mm | 135 | 43 | 33 | 15 | 84 | 475 |
| 182-024-11 | 0-600mm/0-24" | A | ±0.05mm | 180 | 54 | 38 | 20 | 88 | 810 |
| 182-040-11 | 0-1000mm/0-40" | B | ±0.05mm | 265 | 68 | 38 | 20 | 88 | 1230 |