

SERIES 184

DIGITAL HEIGHT GAGE WITH DRIVING WHEEL

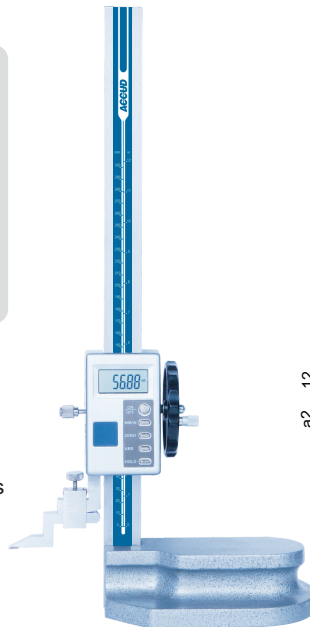
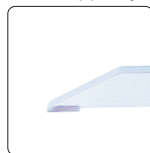


- ◆ Buttons: on/off, zero, mm/inch, ABS/INC, hold
- ◆ Automatic power off, move the digital unit to turn on power
- ◆ Carbide tipped scriber
- ◆ Made of stainless steel
- ◆ Data output(cable code:500-03)
- ◆ Optional accessories: dial test indicator holder (267-050-01)

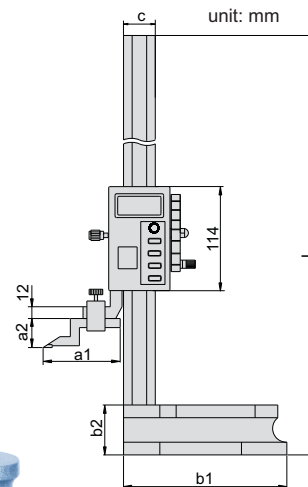
Application with clamps **(optional)**



Carbide tipped jaws



184-012-11



Code	Range	Accuracy	Resolution	b1	b2	L	c	a1	a2	E
184-012-11	0-300mm/0-12"	±0.03mm	0.01mm/0.0005"	180	55	515	32	80	30	9
184-024-11	0-600mm/0-24"	±0.05mm	0.01mm/0.0005"	180	55	815	32	80	30	9
184-040-11	0-1000mm/0-40"	±0.07mm	0.01mm/0.001"	265	70	1220	40	92	48	12

Scriber (included)

