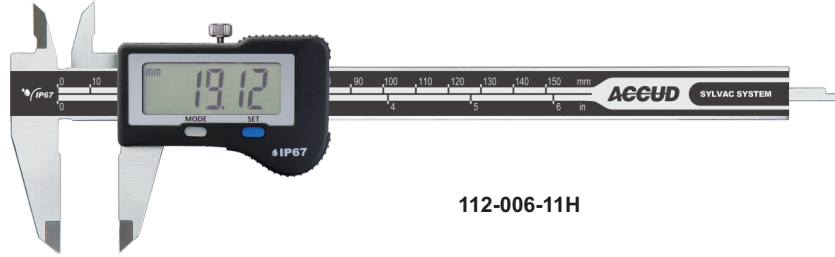


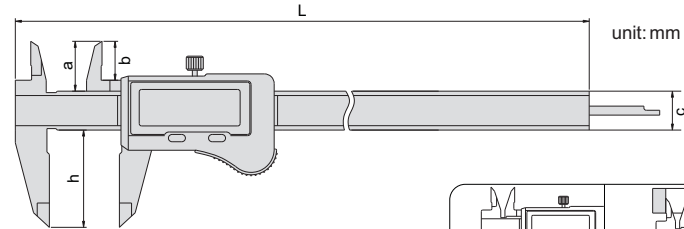
SERIES 112

IP67 DIGITAL CALIPER

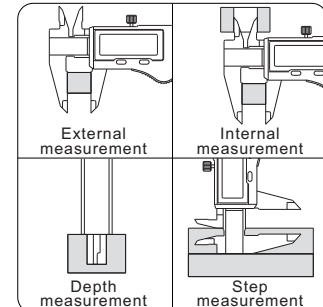


112-006-11H

- ◆ IP67 protection level
- ◆ Absolute measuring system
- ◆ Resolution: 0.01mm/0.0005"
- ◆ Automatic power off
- ◆ Buttons: zero, mm/inch, data preset
- ◆ Made of stainless steel



Code	Range	Accuracy	a	b	c	h	L
112-006-11H	0-150mm/0-6"	±0.02mm	21	16.5	16	40	236
112-008-11H	0-200mm/0-8"	±0.02mm	24	19	16	50	286
112-012-11H	0-300mm/0-12"	±0.03mm	25	20.5	16	60	400



AECUD



CALIPER