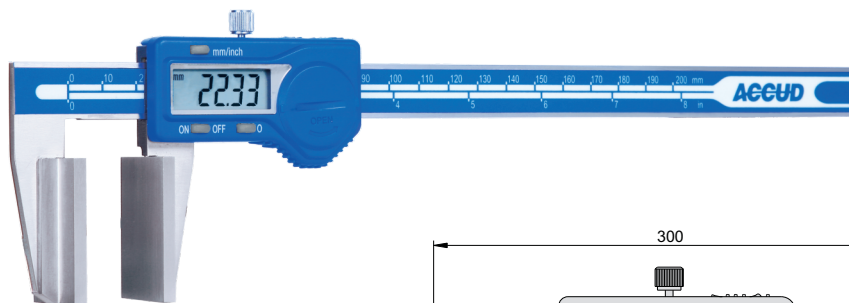
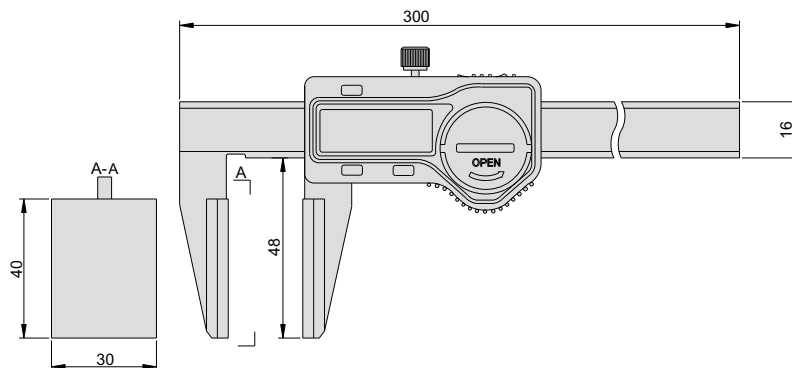


DIGITAL CALIPER WITH LARGE MEASURING FACES



unit: mm

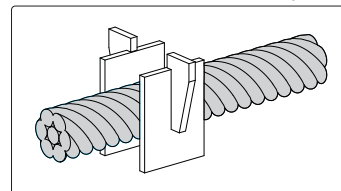


- ◆ Measure diameter of wire ropes, and thickness of soft materials like rubber, etc.
- ◆ Resolution: 0.01mm/0.0005"
- ◆ Buttons: on/off, zero, mm/inch
- ◆ Automatic power on/off
- ◆ Data output(cable code: 100-11 or 100-12)
- ◆ Made of stainless steel

Measure thickness of rubber



Measure diameter of wire ropes



Code	Range	Accuracy
167-008-11	0-200mm/0-8"	±0.07mm