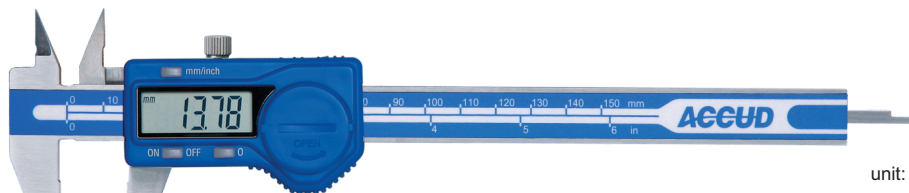


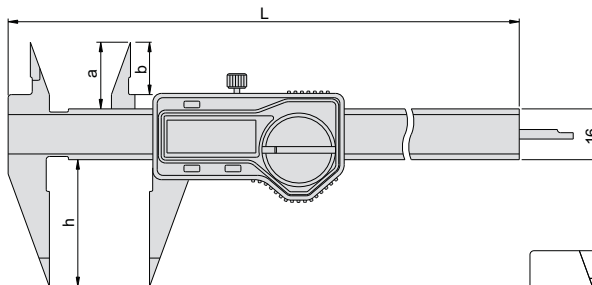
SERIES 138

DIGITAL POINT CALIPER

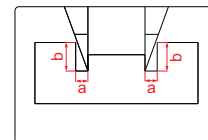
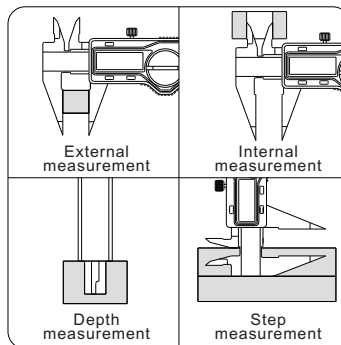
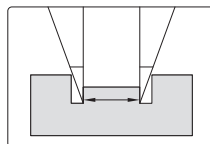


138-006-11

unit: mm



- ◆ Measure small holes or grooves
- ◆ Resolution: 0.01mm/0.0005"
- ◆ Automatic power on/off
- ◆ Buttons: on/off, zero, mm/inch
- ◆ Data output(cable code:100-11 or 100-12)
- ◆ Made of stainless steel



(mm)

Code	Range	Accuracy	a	b	h	L
138-006-11	0-150mm/0-6"	±0.03mm	21	16	40	236
138-008-11	0-200mm/0-8"	±0.03mm	24	19	50	286

a	b
1	2.5
2	5
3	7.5
4	10
5	12.5
6	15