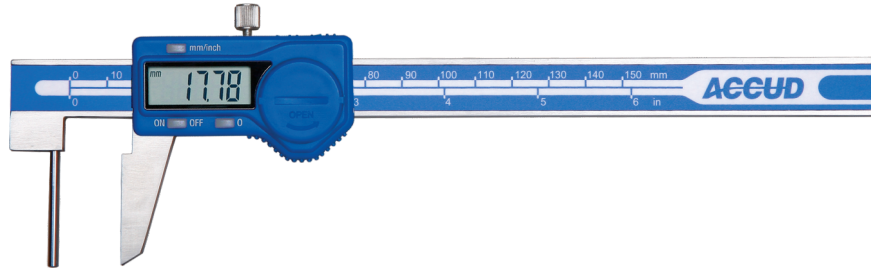
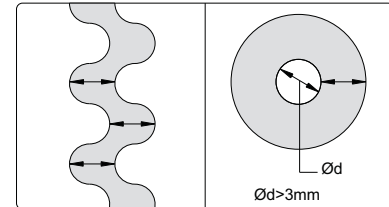
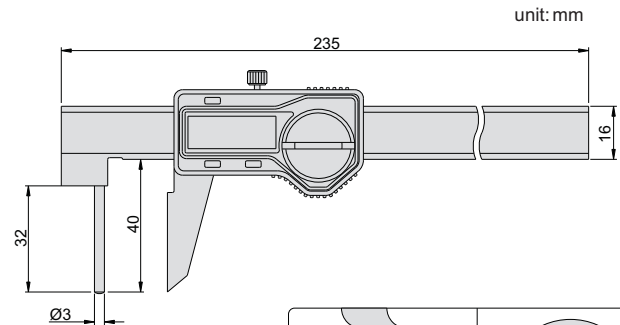


137

DIGITAL TUBE THICKNESS CALIPER



- ◆ Measure the wall thickness
- ◆ Resolution: 0.01mm/0.0005"
- ◆ Automatic power on/off
- ◆ Buttons: on/off, zero, mm/inch
- ◆ Data output(cable code: 100-11 or 100-12)
- ◆ Made of stainless steel



Code	Range	Accuracy
137-006-11	0-150mm/0-6"	±0.05mm

ACCUD



CALIPER