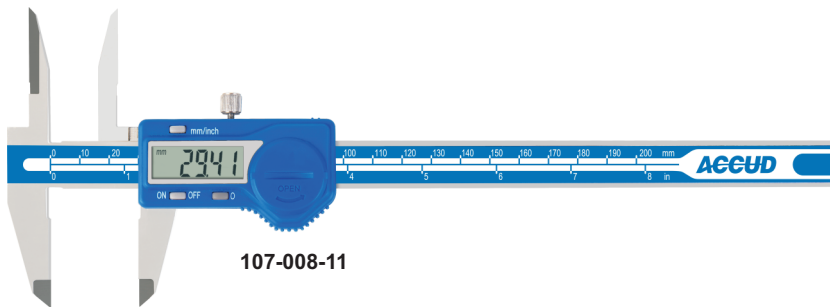


SERIES 107

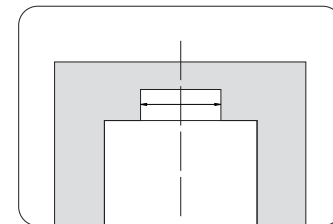
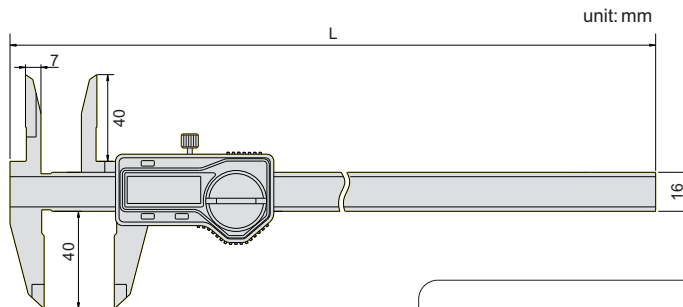
DIGITAL CALIPERS WITH LONG UPPER JAWS



- ◆ Non waterproof
- ◆ Long upper jaws for measuring diameter of deep holes
- ◆ Resolution: 0.01 mm/0.0005"
- ◆ Buttons: on/off, zero, mm/inch
- ◆ Automatic power off, move the digital unit to turn on power
- ◆ Data output(cable code: 100-11 or 100-12)
- ◆ Made of stainless steel



107-008-11



Code	Range	Accuracy	L
107-006-11	0-150mm/0-6"	±0.04mm	236
107-008-11	0-200mm/0-8"	±0.04mm	286