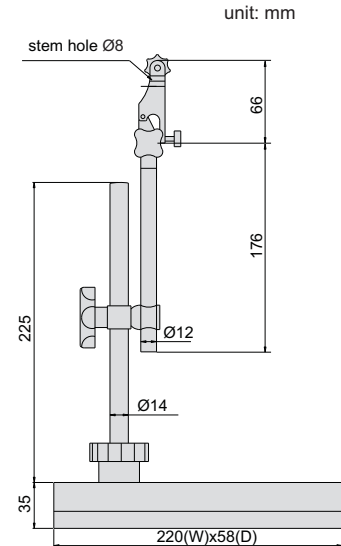


287**UNIVERSAL STAND**

- ◆ For dial/digital indicators and dial test indicators

Application

**ACCUD**

Code	Applicable holding stem	Remark
287-001-01	Ø8mm, Ø4mm	with fine adjustment